

DATE LEGEND

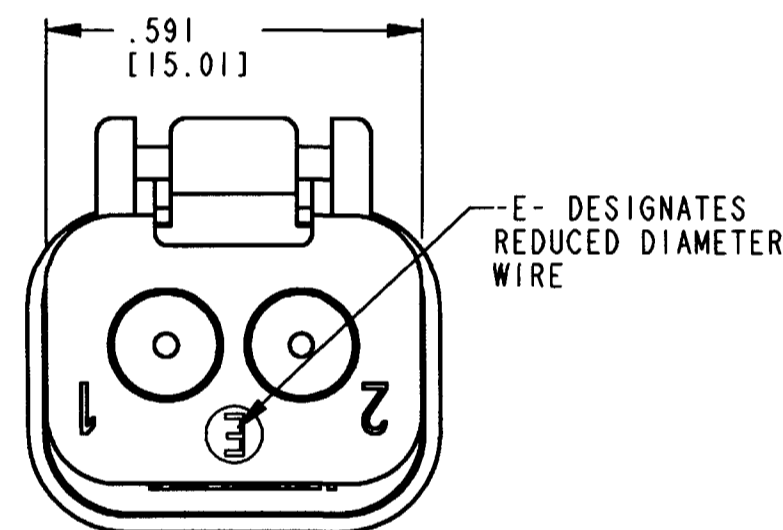
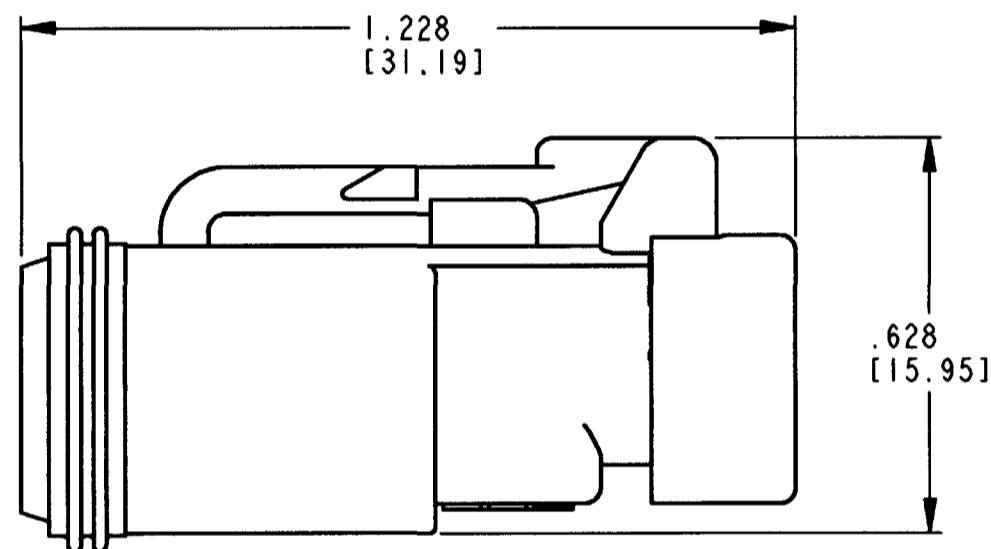
YEARS TO BE REPRESENTED BY LAST NUMERICAL DIGIT, EX: 9 = 1999 OR 2009...
 MONTH USES SEQUENTIAL ALPHA CHARACTERS, EX: A=JANUARY...

- 5. THIS PLUG MATES WITH DT04-2P-**** RECEPTACLE (**** = ALL MODIFICATIONS).
- 4. FOR MORE INFO. SEE ENVELOPE DRAWING 0425-017-0000 AND 0425-015-0000.
- 3. CONSULT FACTORY FOR SPECIFICATIONS AND APPLICATION.
- 2. ALL DIMENSIONS ARE $\pm .025$ [0.63].
- 1. ALL DIMENSIONS ARE INCHES [MILLIMETERS].

NOTES:

REV
B DT06-2S-CE05

REVISIONS			
SYM	DESCRIPTION	DATE	APPROVED
NC	NEW RELEASE PER E.O. P15975	3/29/99	R.D.R
A	REVISED PER E.O. P16254	10/4/99	R.D.R
B	REVISED PER E.O. P17415	8-30-01	RDR



CONTACT SIZE	MIN. INSUL O.D.	MAX. INSUL O.D.	WIRE RANGE [mm ²]
16	.053 [1.35]	.120 [3.05]	14-20 AWG [2.0-0.5]

SIGNATURE & DATE	
DR	D. SPENCER 17MAR99
CHK	D. Collins 8/29/01
PE	Tom Johann 8/29/01
APPD	Blair B/20/01
SCALE	3.5:1 WT

2 WAY PLUG
-CE05 MOD.
DT SERIES

ENVELOPE

CP	MATL. CODE
The Deutsch Company DEUTSCH I.P.D. 3850 INDUSTRIAL AVE. HEMET, CALIF. 92545	
B	DT06-2S-CE05
DWG SIZE	CODE 11139 SHEET OF